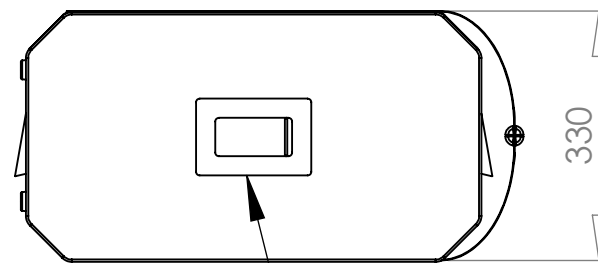
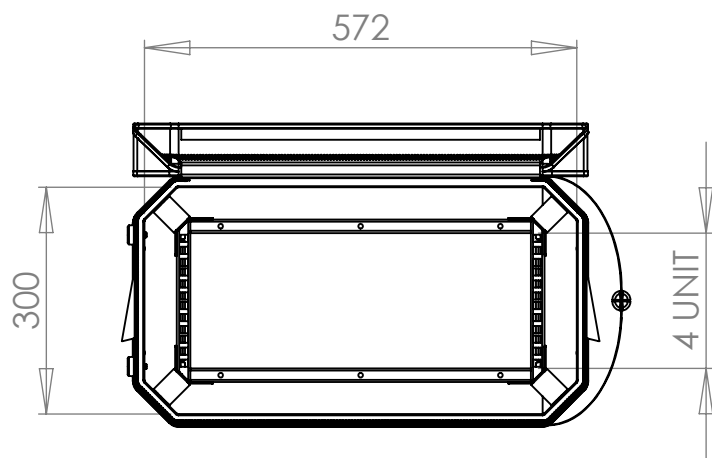
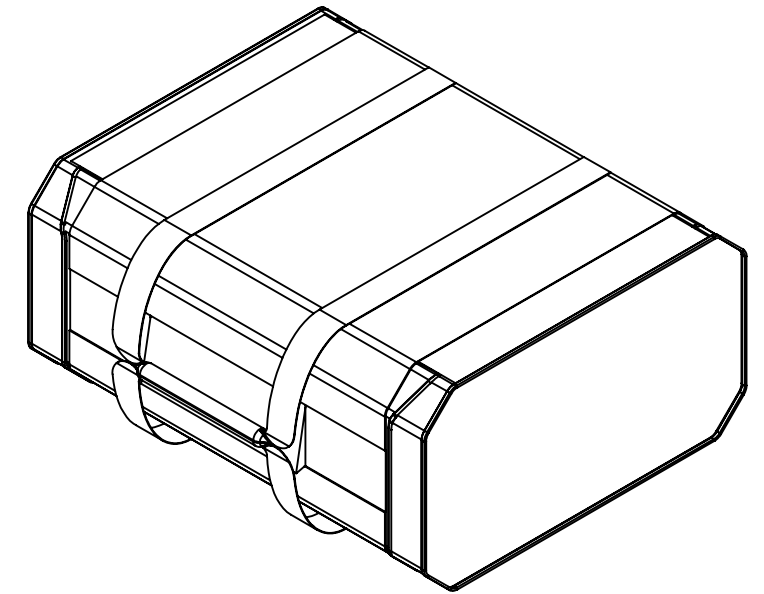
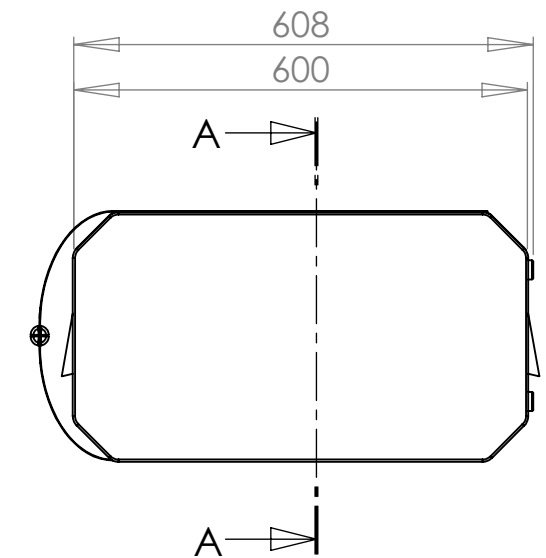
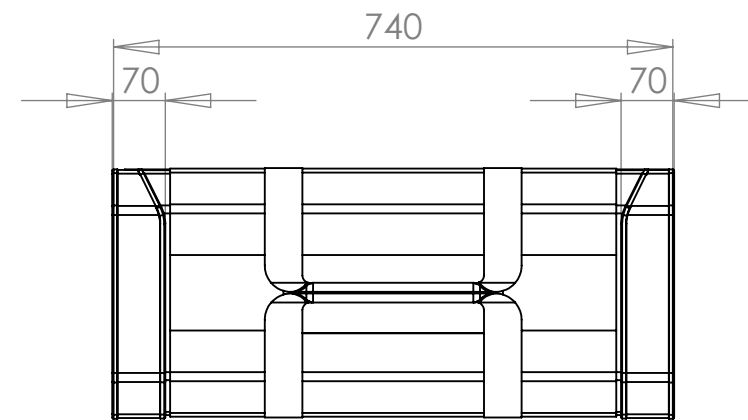


SECTION A-A



LABEL HOLDER ON FRONT LID.



Nato Stock No (NSN) 8145-99-241-7272		General Tolerance +/- (1%+1mm)			Title Satrack SR0461V2		Drg. No. SR0461V2		W/O No. 000000	
Options Selected AGM Breather Valve	Qty 00	Part # RRAPRV	Height 330	Width 600	Depth 740	Drawn By MW	Date 28/09/2010	Sheet No. 1 Of 1	Issue No. 02	Qty 01
			Rack Size (U)			Dimensions In Millimeters		Third Angle Projection		
			Frame Depth (mm)			Do Not Scale				

CP Cases Ltd.

Worton Hall Industrial Estate, Worton Road,
Isleworth, Middlesex, TW7 6ER, UK.
Tel: +44 (0) 20 8568 1881 Fax: +44 (0) 20 8568 1141
Email: info@cpcases.com Website: www.cpcases.com

Copyright CP Cases Limited.
This drawing is the property of CP Cases Limited & the information on it is confidential & it is not to be used for any other purpose without the prior written consent of CP Cases Limited.