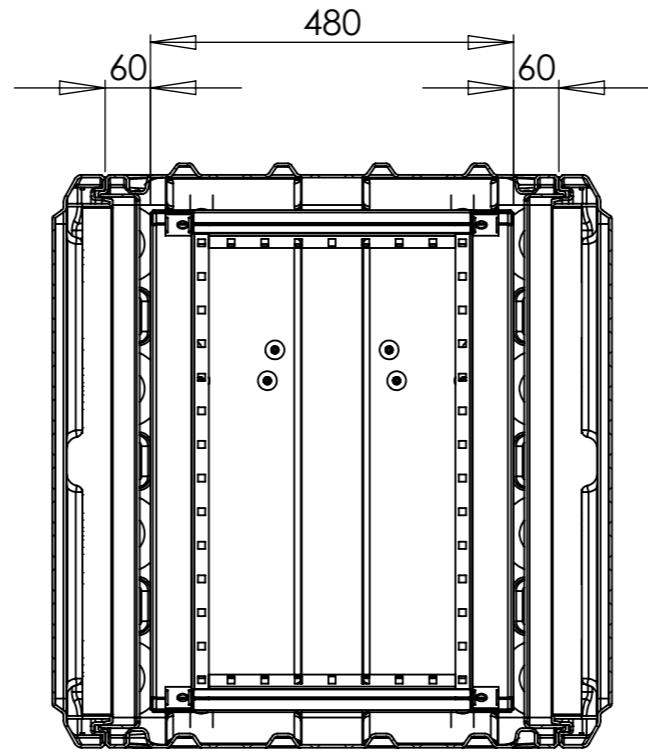
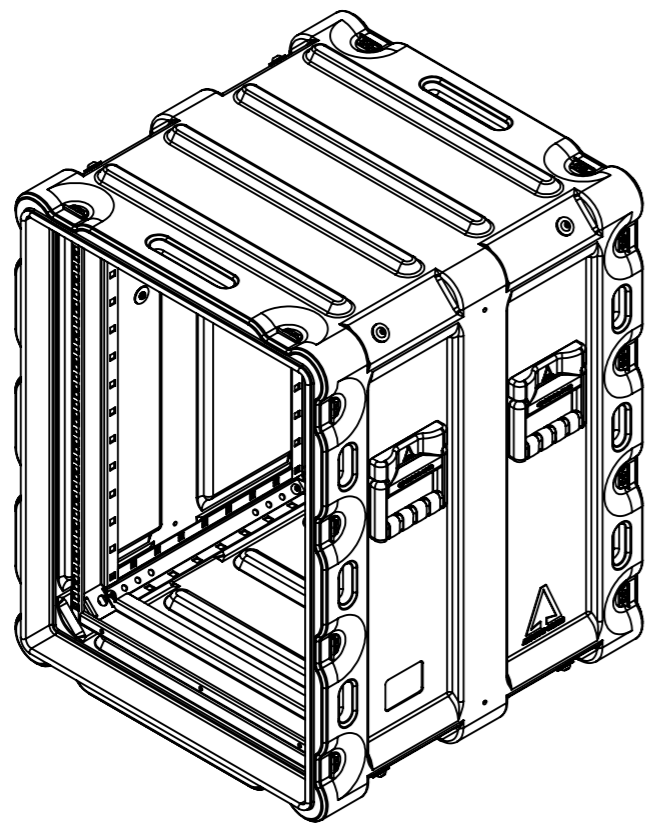
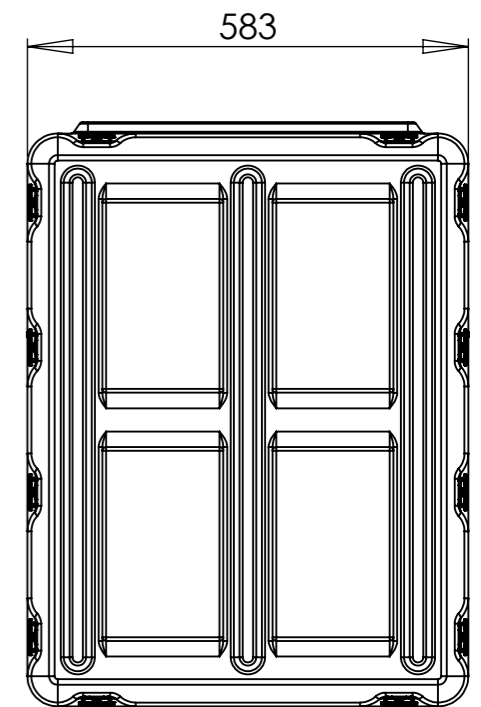
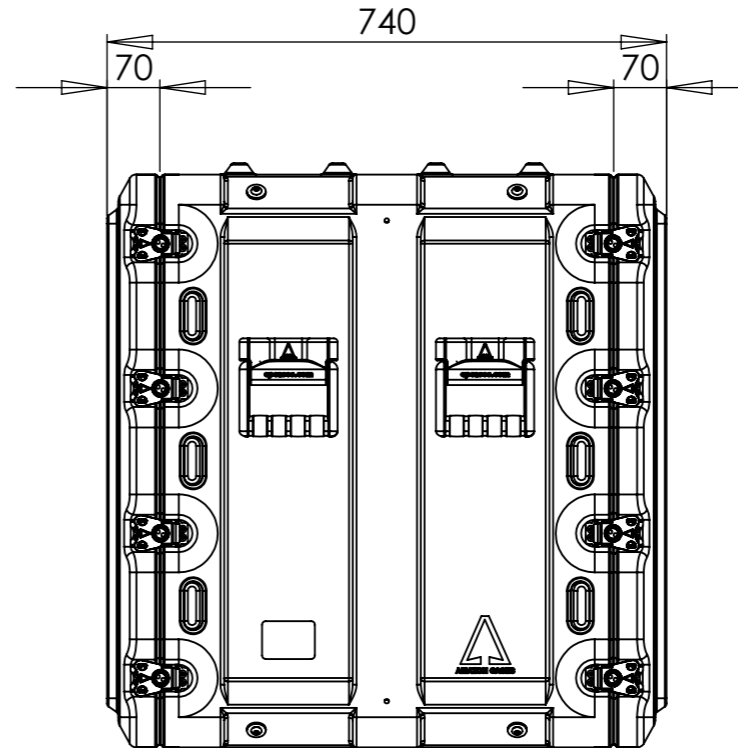
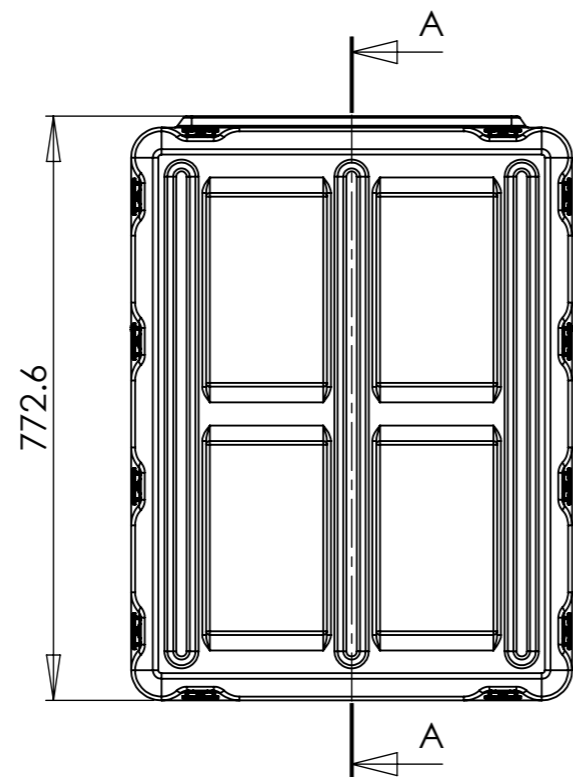
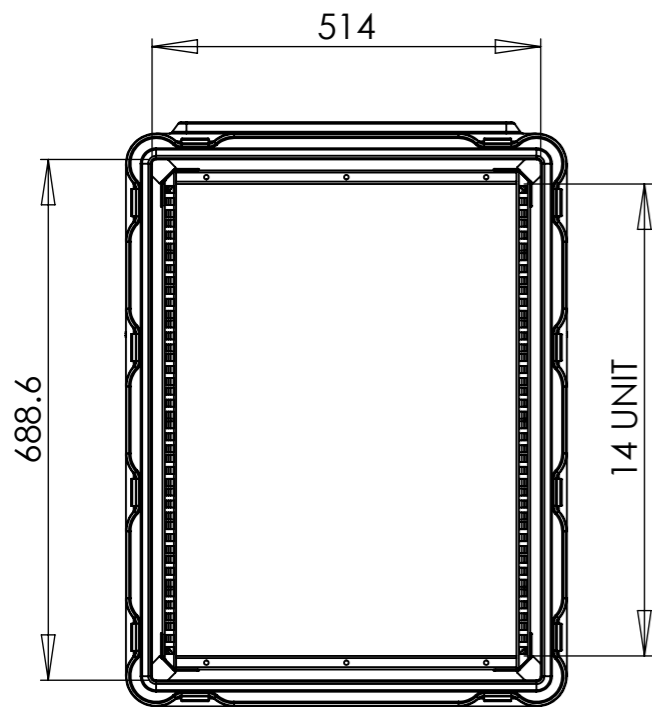
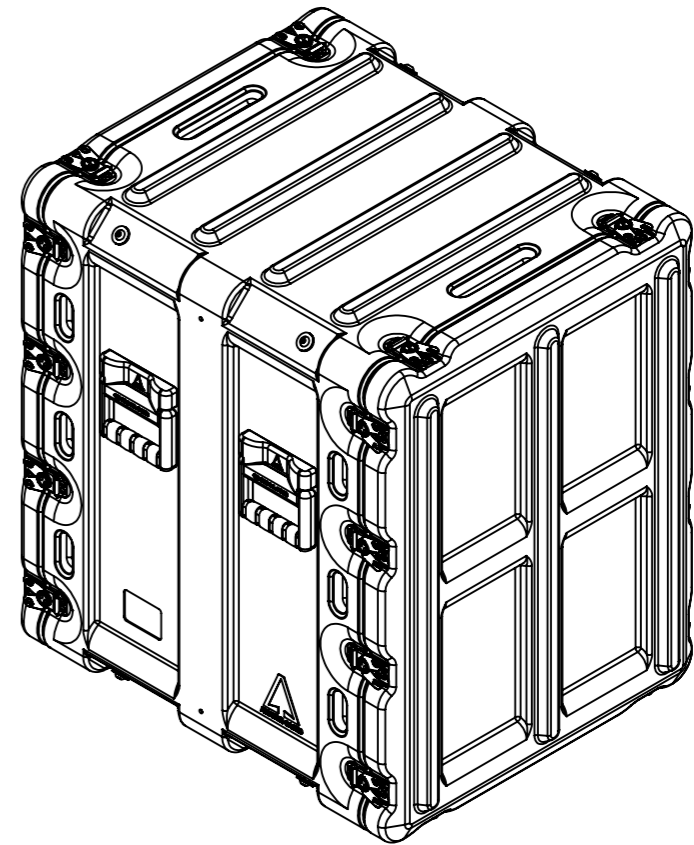


Revision Table			
Revision	Description	Date	Approved



SECTION A-A



<b>Title</b> Amazon Rack AR1448-0707		<b>Material</b> Polyethylene		<b>Finish</b> Self Colour		<b>Date</b> 07/06/2011	<b>Drawn By</b> MW	<b>Revision</b> A	<b>Project</b> Amazon		<b>CP Cases Ltd.</b> Worton Hall Industrial Estate, Worton Road, Isleworth, Middlesex, TW7 6ER, UK. Tel: +44 (0) 20 8568 1881 Fax: +44 (0) 20 8568 1141 Email: info@cpcases.com Website: www.cpcases.com
<b>Drg. No.</b> AR14480707		<b>External Dimensions</b>		<b>Internal Dimensions</b>		<b>W/O No.</b> 000000	<b>Qty.</b> 00	<b>Sheet No.</b> 1 Of 1	<b>Nato Stock No.</b> 8145-99-741-6696		
<b>Height</b> 773	<b>Width</b> 583	<b>Length/Depth</b> 740	<b>Height</b> N/A	<b>Width</b> N/A	<b>Length/Depth</b> N/A	<b>Dimensions In Millimeters.</b> Do Not Scale. Third Angle Projection.			<b>Tolerance Unless Stated Otherwise.</b> Moulding Tolerance +/- (1%+1mm). Sheet Metal Tolerance +/-0.5mm.		

Copyright CP Cases Ltd. This drawing is the property of CP Cases Ltd & the information on it is confidential. It is not to be used for any other purpose without the prior written consent of CP Cases Ltd.